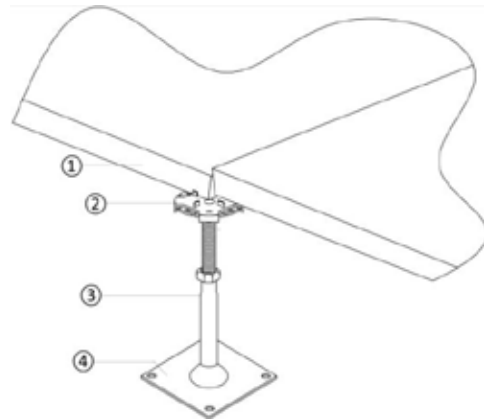


PVC Finished Calcium Sulphate core raised floor

**Sketch:**



- 1 Floor panel (coated with PVC)
- 2 Gasket
- 3 Pedestal (construction type depends on floor height)
- 4 Base plate glued to the subfloor, can be dowelled by EXPANSION BOLT on request

**Panel:**

Dimensions:	600 x 600 mm (special dimentions possible)
Panel thickness:	32,0 mm
Surface:	coated with antistatic PVC
Underside :	coated with 0.5mm galvanized steel sheet
System weight:	Approx. 60 kg/m <sup>2</sup> (with covering, floor height 250 mm)
Panel material:	30mm Calcium Sulphate
Fire Resistance	F 30, DIN 4102

**Substructure:**

Pedestal module:	600 mm
Pedestal material:	Galvanized steel
Construction height:	250 mm
Stringer:	540*20*30*1.0mm

**Load values\*:**

Concentrated load:	4690 N
Tested acc. to DIN EN 12825	Class 6
Impact load:	≥536N
Ultimate load	≥10680N
Rolling load:	10times 4690N & 10000times 2670N
Distributed load :	36100 N/m <sup>2</sup>
Resistance to Earth	≥10 <sup>6</sup> Ω (ohms)

**KARACHI - HEAD OFFICE**  
 1-6, A/1 P.E.C.H.S, MAIN  
 SHAHRA-E-FAISAL,  
 KARACHI - 75400  
 PHONE: 021 3453 5377-9  
 CELL: 0300 8542220

**KARACHI - DEFENCE SHOWROOM**  
 2C, MAIN 26TH STREET CORNER OF  
 KHY-E-TANZEEM, DHA, PHASE-V,  
 KARACHI  
 PHONE: 021 3537 4864  
 CELL: 0307 7774780

**LAHORE SHOWROOM**  
 MALL 94, 2ND FLOOR,  
 94-D-1,(NEXT TO MALL 1),  
 MAIN BOULEVARD  
 GULBERG - III, LAHORE  
 CELL: 0307 7774513

**ISLAMABAD - HEAD OFFICE**  
 1-A, MAIN KOHISTAN ROAD,  
 STREET 9, SECTOR F-8/3  
 ISLAMABAD  
 PHONE: 051 285 3966  
 CELL: 0303 7774248

[www.theprotectors.com.pk](http://www.theprotectors.com.pk)  
[sales@theprotectors.com.pk](mailto:sales@theprotectors.com.pk)

 /theprotectors

**UAN** 021-111-BLINDS (111 254 637)  
 0300 0341 003